



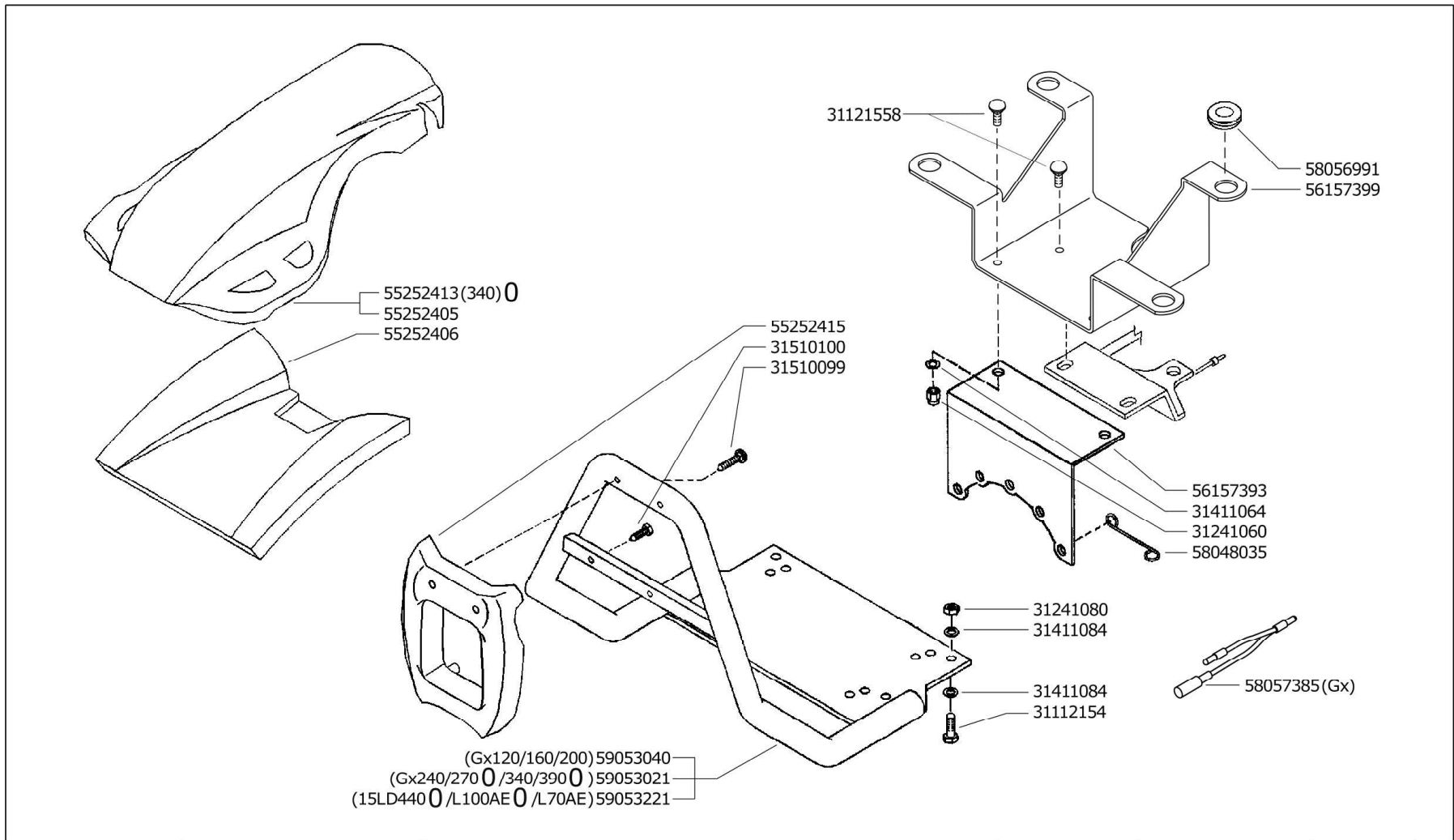
FERRARI Motor mowers, FERRARI 2-wheel tractors

340 TRENDY

14/04/2021

A30008 - 340 TRENDY.....	3
C01_1_60543 - ENGINE PROTECTIONS.....	4
C01_2_60545 - ENGINE PROTECTIONS.....	6
C01_3_60548 - ENGINE PROTECTIONS.....	8
C.01.01.A0027_04 - ENGINE PROTECTIONS.....	10
D01_2_60564 - CLUTCH.....	12
D.01.02.A0027_03 - CLUTCH.....	14
E02_0_60592 - GEARBOX (340).....	16
F03_0_60629 - GEARS (340).....	19
F.03.02.A0027_01 - GEARS (340).....	22
F.03.02.A0027_02 - GEARS (340).....	25
G03_0_60674 - DIFFERENTIAL (340).....	28
H03_0_60737 - STEERING COLUMN (340).....	30
I03_0_60817 - HANDLEBAR (340).....	33
J03_0_60869 - CONTROLS (340).....	36
K01_1_60913 - WHEELS.....	39
L01_2_60940 - ELECTRIC STARTER.....	41
M01_1_60965 - STICKERS.....	43
M02_1_60983 - STICKERS.....	45
M.02.02.A0027_02 - STICKERS.....	47
S.01.01.A0027_00 - ENGINE COVER KIT.....	49



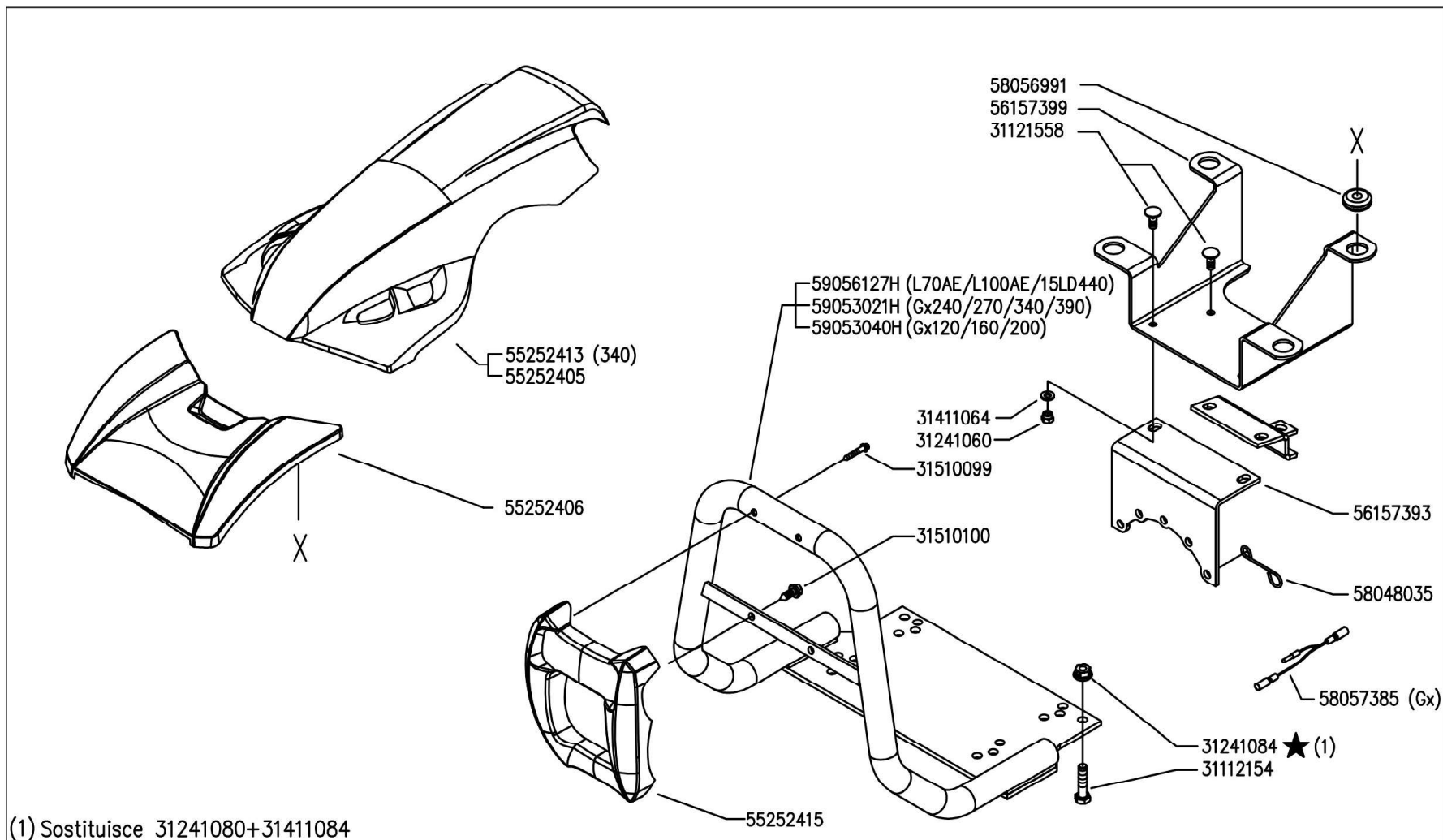


	300 TRENDY	PROTEZIONI MOTORE		DALLA MACCHINA FROM THE MACHINE DE LA MACHINE DE LA MAQUINA AB DER MASCHINE	AGGIORNAMENTO	C01	Rev.
		ENGINE PROTECTIONS PROTECCIONES MOTOR	PROTECTIONS MOTEUR MOTORSCHUTZ		0 N.		REVISION MISE A JOUR APLAZAMIENTO ANPASSUNG
					10/2008		ZENE



Pos.	Id	Q.ty	Description	Note
31112154	31112154	1	SCREW TE M8X40 UNI 5739 8G	
31121558	31121558	1	SCREW TTQ M6X16 UNI 5731	
31241060	31241060	1	HEXAGON SELFLOCK NUT M6	
31241080	31241080	1	HEXAGON SELFLOCK NUT M8	
31411064	31411064	1	WASHER 6,4x12,5	
31411084	31411084	1	WASHER 8,4x17	
31510099	31510099	1	RIBBED SCREW 6,3X38 UNI 6950	
31510100	31510100	1	RIBBED SCREW 6,3X19 UNI 6950	
55252405	55252405	1	GUARD	
55252406	55252406	1	GUARD BATTERY BOX	
55252413	55252413	1	GUARD	
55252415	55252415	1	GUARD	
56157393	56157393	1	HOLDER	
56157399	56157399	1	HOLDER	
58048035	58048035	1	HOLDER	
58056991	58056991	1	CABLE GLAND 90/200/30	
58057385	58057385	1	LINE	
59053021	59053021	1	COMPLETE BUMPERS	
59053040	59053040	1	COMPLETE BUMPERS	
59053221	59053221	1	COMPLETE BUMPERS	



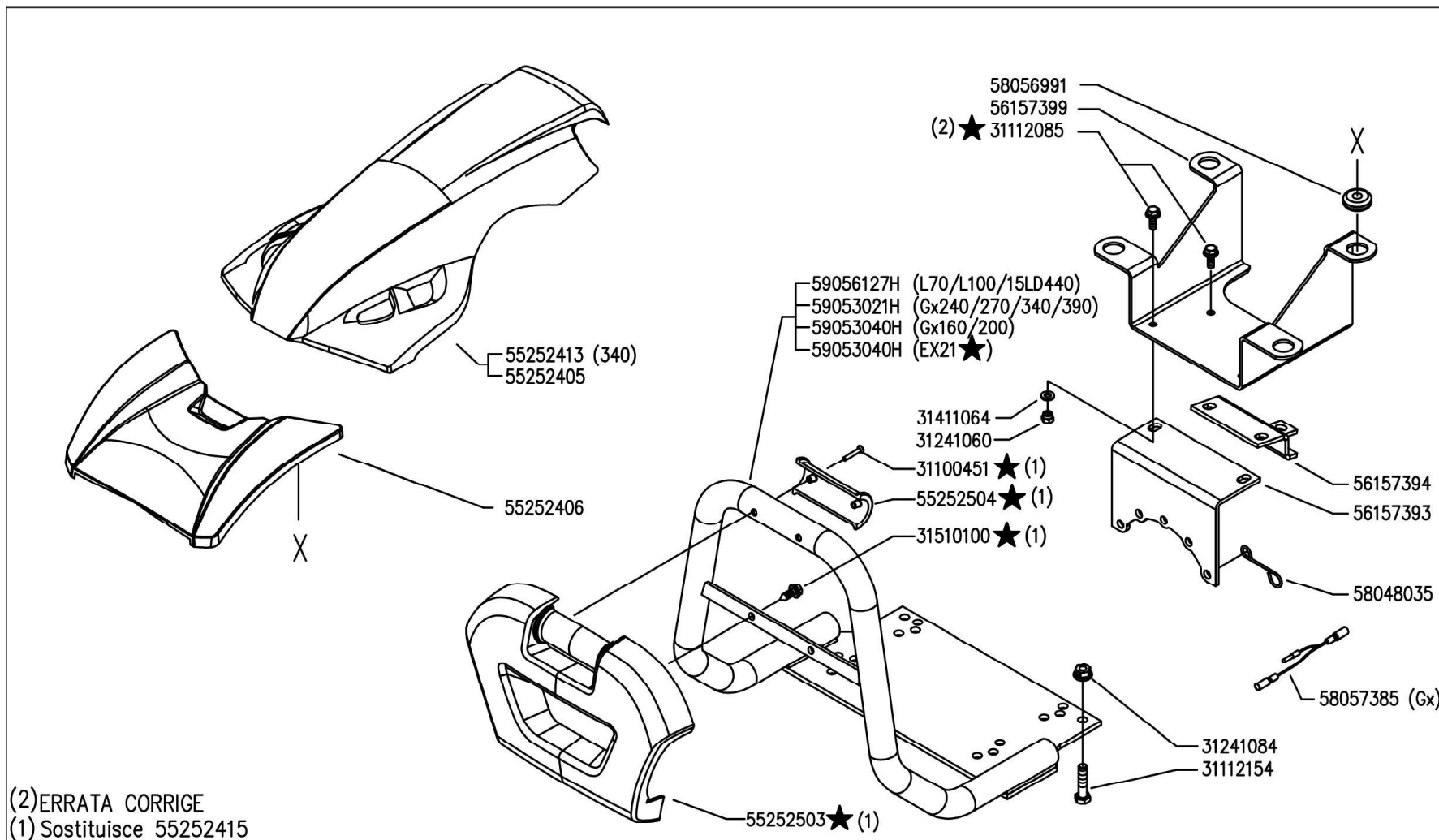


	300 TRENDY	PROTEZIONI MOTORE		<small>DALLA MACCHINA DE LA MACHINA FROM THE MACHINE AB DER MASCHINE</small>	AGGIORNAMENTO	C01	<small>Rev.</small> 2	
		<small>ENGINE PROTECTIONS</small>	<small>PROTECTIONS MOTEUR</small>		<small>APLAZAMIENTO</small>			
		<small>PROTECCIONES MOTOR</small>	<small>MOTORSCHUTZ</small>		<small>MISE A JOUR</small>			
		<small>N.</small>			<small>REVISION</small>			
		<small>N.</small>			<small>ANPASSUNG</small>			
					06/2009			



Pos.	Id	Q.ty	Description	Note
59053021R	59053021H	1	BUMPER C.15LD-ACT-GX ALUM.	
59056127R	59056127H	1	BUMPER FOR 740	
59053040R	59053040H	1	ALU COMPLETE BUMPER GX160-200	
31112154	31112154	1	SCREW TE M8X40 UNI 5739 8G	
31121558	31121558	1	SCREW TTQ M6X16 UNI 5731	
31241060	31241060	1	HEXAGON SELFLOCK NUT M6	
31241084	31241084	1	SELFLOCK NUT M8 6S	
31411064	31411064	1	WASHER 6,4x12,5	
31510099	31510099	1	RIBBED SCREW 6,3X38 UNI 6950	
31510100	31510100	1	RIBBED SCREW 6,3X19 UNI 6950	
55252405	55252405	1	GUARD	
55252406	55252406	1	GUARD BATTERY BOX	
55252413	55252413	1	GUARD	
55252415	55252415	1	GUARD	
56157393	56157393	1	HOLDER	
56157399	56157399	1	HOLDER	
58048035	58048035	1	HOLDER	
58056991	58056991	1	CABLE GLAND 90/200/30	
58057385	58057385	1	LINE	



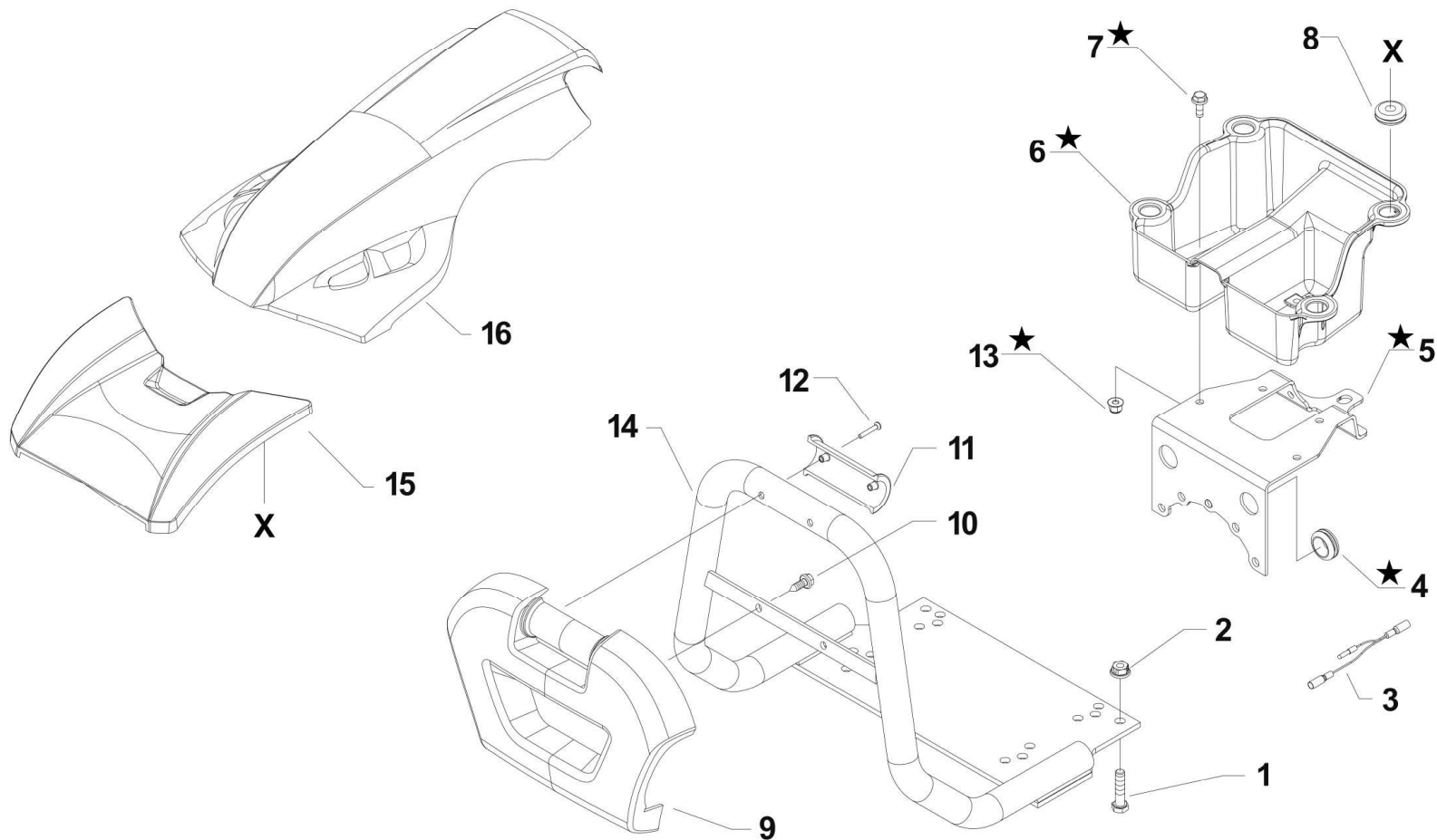


	300 TRENDY	PROTEZIONI MOTORE		DALLA MACCHINA DE LA MACCHINA FROM THE MACHINE AB DER MASCHINE	N. 857706	C01	Rev.
		ENGINE PROTECTIONS PROTECCIONES MOTOR	PROTECTIONS MOTEUR MOTORSCHUTZ				3
						03/2011	



Pos.	Id	Q.ty	Description	Note
55252503	55252503	1	FREGIO ANT.MC 2010 FERRARI	
59056127H	59056127H	1	BUMPER FOR 740	
55252504	55252504	1	HALF BEARING	
31100451	31100451	1	SCREW 3,5X25	
56157393	56157393	1	HOLDER	
31112154	31112154	1	SCREW TE M8X40 UNI 5739 8G	
56157394	56157394	1	STOP	
31241084	31241084	1	SELFLOCK NUT M8 6S	
56157399	56157399	1	HOLDER	
31510100	31510100	1	RIBBED SCREW 6,3X19 UNI 6950	
58048035	58048035	1	HOLDER	
55252406	55252406	1	GUARD BATTERY BOX	
31112085	31112085	1	SCREW TE M6X16 DIN 6921 8G	
59053040H	59053040H	1	ALU COMPLETE BUMPER GX160-200	
59053021H	59053021H	1	BUMPER C.15LD-ACT-GX ALUM.	
58057385	58057385	1	LINE	
58056991	58056991	1	CABLE GLAND 90/200/30	
31241060	31241060	1	HEXAGON SELFLOCK NUT M6	
55252413	55252413	1	GUARD	
55252405	55252405	1	GUARD	
31411064	31411064	1	WASHER 6,4x12,5	






i = info - stop 2 sec. ★ = new part



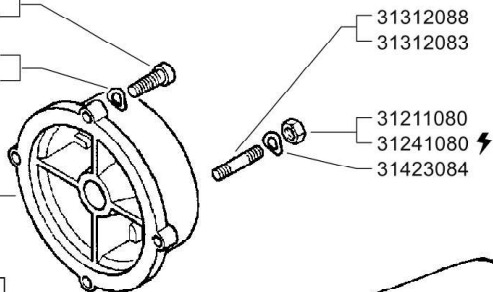
FERRARI Motor mowers, FERRARI 2-wheel tractors - 340 TRENDY
C.01.01.A0027_04 - ENGINE PROTECTIONS

Pos.	Id	Q.ty	Description	Note
1	31112154		SCREW TE M8X40 UNI 5739 8G	
2	31241084		SELFLOCK NUT M8 6S	
3	58057385		LINE	
4	581C1004		CABLE GLAND	
5	561C1002		HOLDER	REPLACES 56157393
6	552C1001		FAIRINGS BOX	REPLACES 56157399
7	31112081		SCREW TE C/F M6X20 DIN 6921 8G	
8	58056991		CABLE GLAND 90/200/30	
9	55252503		FREGIO ANT.MC 2010 FERRARI	
10	31510100		RIBBED SCREW 6,3X19 UNI 6950	
11	55252504		HALF BEARING	
12	31100451		SCREW 3,5X25	
13	31241066		SELFLOCK M6 FL NY DIN 6926	REPLACES 31241060 + 31411064
14	59053021H		BUMPER C.15LD-ACT-GX ALUM.	GX240/GX270/GX340/GX390
14	59053040H		ALU COMPLETE BUMPER GX160-200	
14	59056127H		BUMPER FOR 740	L70/L100 - 15KD440
15	55252406		GUARD BATTERY BOX	
16	55252405		GUARD	
16	55252413		GUARD	340

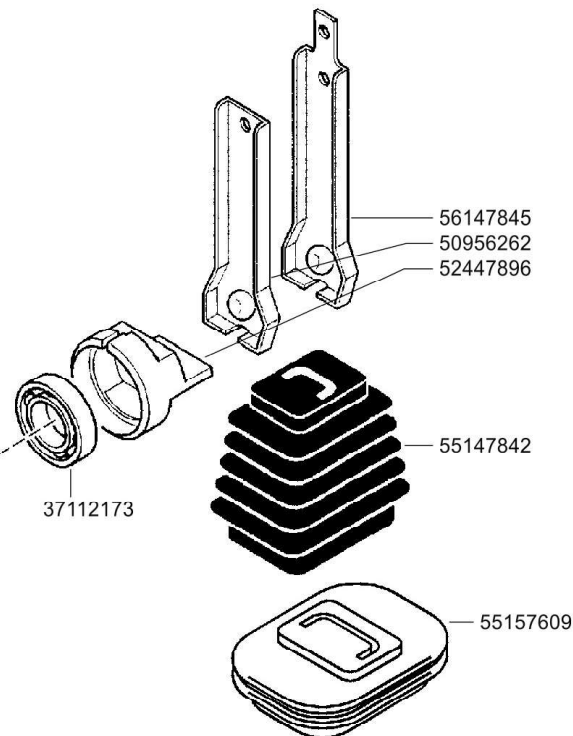
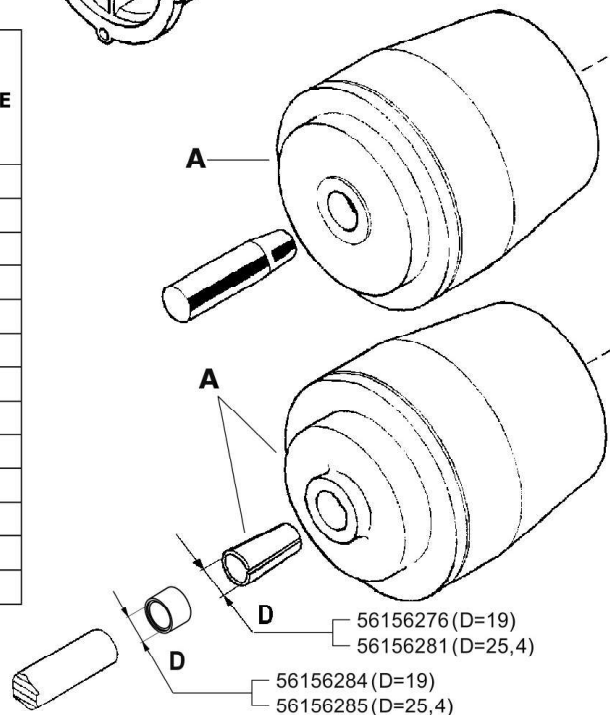


ROBINEX 17 - HONDA Gx 120/160/200 31100003
 HONDA Gx240/270/340/390 31100015
 HONDA Gx240/270/340/390 31423105
 31423084

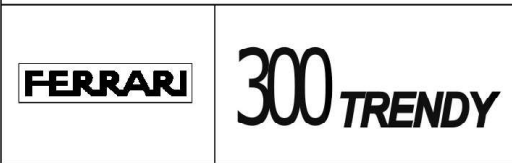
ROBINEX 17 - HONDA Gx120/160/200 53247488
 HONDA Gx240/270/340/390 53156150



MOTORE ENGINE MOTEUR MOTOR	FRIZIONE CLUTCH A EMBRAYAGE EMBRAGUE KUPPLUNG
Acme A220	59247884
Acme A220 (REF.)	59256255
Acme ACT280 - A349 - A360	59247884
Acme ACT340	59247971
Honda Gx 390 - Gx 340 D=25,4	59256280
Honda Gx 240/270 D=25,4	59256279
Honda Gx120/160/200 D=19	59256275
Lombardini 15LD315/350	59247884
Lombardini 15LD440 0	59247971
Lombardini 15LD500	59247924
ROBINEX 17 0	59256275
Yanmar L100AE	59247971
Yanmar L70AE	59247884



! NON SMONTARE MAI LA FRIZIONE
 NEVER DISASSEMBLE THE CLUTCH
 NE DEMONTER JAMAIS L'EMBRAYAGE
 NIEMALS DIE KUPPLUNG AUSBAUEN
 NO DESMONTAR JAMAS EL EMBRAGUE



FRIZIONE A CONO AUTOVENTILANTE

CLUTCH
 EMBRAGUE

EMBRAYAGE
 KUPPLUNG

DALLA MACCHINA
 FROM THE MACHINE
 DE LA MACHINE
 DE LA MAQUINA
 AB DER MASCHINE

AGGIORNAMENTO
 REVISION
 MISE A JOUR
 APLAZAMIENTO
 ANPASSUNG

0 N.

Rev. **D01 2**
10/2008



Pos.	Id	Q.ty	Description	Note
31100003	31100003	1	SCREW TE 5/16X7/8	
31100015	31100015	1	SCREW TE 3/8X1	
31211080	31211080	1	NUT M8	
31241080	31241080	1	HEXAGON SELFLOCK NUT M8	
31312083	31312083	1	STUD BOLT M8X46X16X16	
31312088	31312088	1	STUD BOLT M8X40X14X14	
31423084	31423084	1	SPRING WASHER 8,4	
31423105	31423105	1	SPRING WASHER 10,5	
37112173	37112173	1	BEARING 6203 DDU7C3EX26 NSK	
50956262	50956262	1	CLUTCH LEVER	
52447896	52447896	1	PRESSURE PLATE	
53156150	53156150	1	ENGINE FLANGE B&S 8HP I/P	
53247488	53247488	1	ENGINE FLANGE H=21	
55147842	55147842	1	BELLOWS	
55157609	55157609	1	BELLOWS	
56147845	56147845	1	CLUTCH LEVER	
56156276	56156276	1	SLEEVE D.19	
56156281	56156281	1	CENTRING BUSH D.25,4	
56156284	56156284	1	SPACER D19	
56156285	56156285	1	SPACER D25	
59247884	59247884	1	CLUTCH ASSY	
59247924	59247924	1	CLUTCH	
59247971	59247971	1	CLUTCH	
59256255	59256255	1	CLUTCH ASSY	
59256275	59256275	1	CLUTCH ASSY	
59256279	59256279	1	CLUTCH ASSY	
59256280	59256280	1	CLUTCH ASSY	

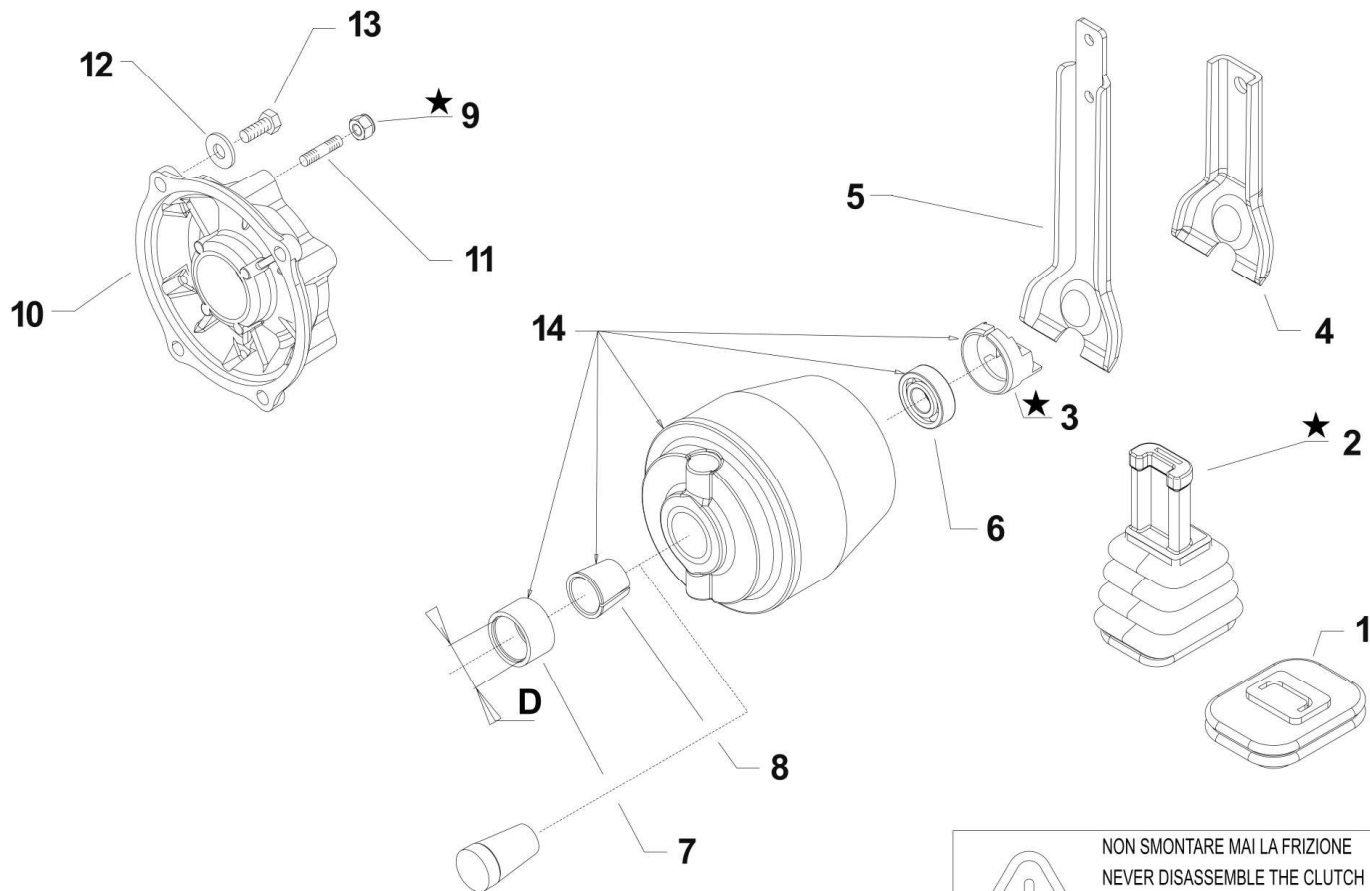



FERRARI Motor mowers, FERRARI 2-wheel tractors - 340 TRENDY

D01_2_60564 - CLUTCH

14/04/2021

Page 13 / 50



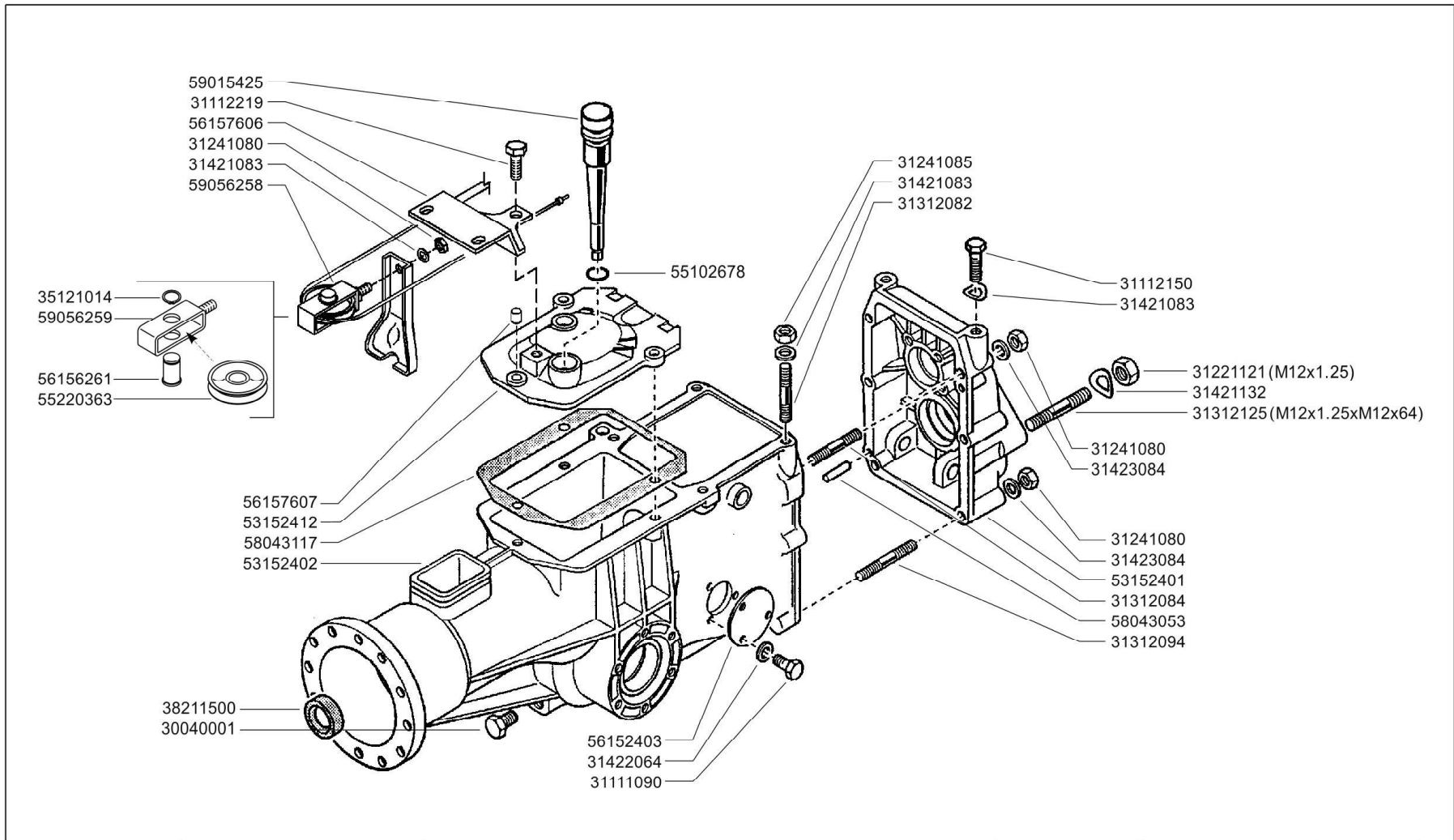

 NON SMONTARE MAI LA FRIZIONE
 NEVER DISASSEMBLE THE CLUTCH
 NE DEMONTER JAMAIS L'EMBRAYAGE
 NIEMALS DIE KUPPLUNG AUSBAUEN
 NO DESMONTAR JAMAS EL EMBRAYAGE



i = info - stop 2 sec. ★ = new part

Pos.	Id	Q.ty	Description	Note
1	55157609		BELLOWS	ELECTRIC STARTING
2	55156481		CLUTCH LEVER BELLOWS	REPLACES 55147842
3	524C1014		PRESSURE CONE	REPLACE 52447896
4	50956262		CLUTCH LEVER	ELECTRIC STARTING
5	56147845		CLUTCH LEVER	RECOIL STARTER
6	37112173		BEARING 6203 DDU7C3EX26 NSK	
7	56156284		SPACER D19	
7	56156285		SPACER D25	
8	56156276		SLEEVE D.19	
8	56156281		CENTRING BUSH D.25,4	
9	31241080		HEXAGON SELFLOCK NUT M8	
9	31241083		SELFLOCK NUT M8	REPLACES 31211080 + 31423084
10	53156150		ENGINE FLANGE B&S 8HP I/P	GX240/GX270/GX340/GX390
10	53247488		ENGINE FLANGE H=21	GX120/GX160/GX200 - EX17
11	31312083		STUD BOLT M8X46X16X16	
12	31423084		SPRING WASHER 8,4	
12	31423105		SPRING WASHER 10,5	GX240/GX270/GX340/GX390
13	31100003		SCREW TE 5/16X7/8	GX120/GX160/GX200
13	31100015		SCREW TE 3/8X1	GX240/GX270/GX340/GX390 - EX17
14	59247489		CONIC CLUTCH D=23 1 CPL SPRING	REPLACES 59247884 - 15LD315/15LD350 - L70AE - A220 - ACT280/A349/A360
14	59247513		CONIC CLUTCH D=24 2 SPRINGS	REPLACES 59247924 - 15LD500
14	59247823		CONIC CLUTCH D=23,2 2 SPRINGS	REPLACES 59247971 - L100AE - ACT340 - 15KD440
14	59256255		CLUTCH ASSY	A220 (REF.)
14	592C1010		CLUTCH D.19 Q(UP TO 9HP)	REPLACES 59256275 - GX120/GX160/GX200
14	592C1011		COMPLETE CLUTCH D=25,4 9HP	REPLACES 59256279 - GX240/GX270
14	592C1012		CONIC CLUTCH D=25,4 UP 9HP	REPLACES 59256280 - GX340/GX390





		SCATOLA CAMBIO (340)		DALLA MACCHINA DE LA MAQUINA DE LA MACHINE FROM THE MACHINE AB DER MASCHINE	Rev.
		GEARBOX CAJA DE CAMBIO	BOTTE DE VITESSES WECHSELGETRIEBE		N.



Pos.	Id	Q.ty	Description	Note
30040001	30040001	1	PLUG 1/4 UNI 364	
31111090	31111090	1	SCREW TE M5X10 UNI 5739 8G	
31112150	31112150	1	SCREW TE M8X20 UNI 5739 8G	
31112219	31112219	1	SCREW TE M10X25 UNI 5739	
31221121	31221121	1	NUT M12X1,25	
31241080	31241080	1	HEXAGON SELFLOCK NUT M8	
31241085	31241085	1	SELFLOCK NUT M8 6S	
31312082	31312082	1	STUD BOLT M8X38X14X20	
31312084	31312084	1	STUD BOLT M8X58X16X16	
31312094	31312094	1	STUD BOLT M8X68X14X36	
31312125	31312125	1	STUD BOLT 64XM12X1,25X26XM12X30 8G	
31421083	31421083	1	WASHER	
31421132	31421132	1	WASHER 13X24X2,8	
31422064	31422064	1	SPRING WASHER 6,4	
31423084	31423084	1	SPRING WASHER 8,4	
35121014	35121014	1	SEEGER RING E 14 DIN 471	
38211500	38211500	1	OIL SEAL 15X28X7	
53152401	53152401	1	REAR COVER	
53152402	53152402	1	BODY	
53152412	53152412	1	COVER	
55102678	55102678	1	RUBBER RING	
55220363	55220363	1	PULLEY BRAKE	
56152403	56152403	1	COVER	
56156261	56156261	1	PIN	
56157606	56157606	1	STOP	
56157607	56157607	1	SPACER	
58043053	58043053	1	CYLINDRICAL PLUG	
58043117	58043117	1	COVER GASKET	
59015425	59015425	1	PLUG	



Pos.	Id	Q.ty	Description	Note
59056258	59056258	1	CLUTCH FORK	
59056259	59056259	1	CLUTCH FORK	

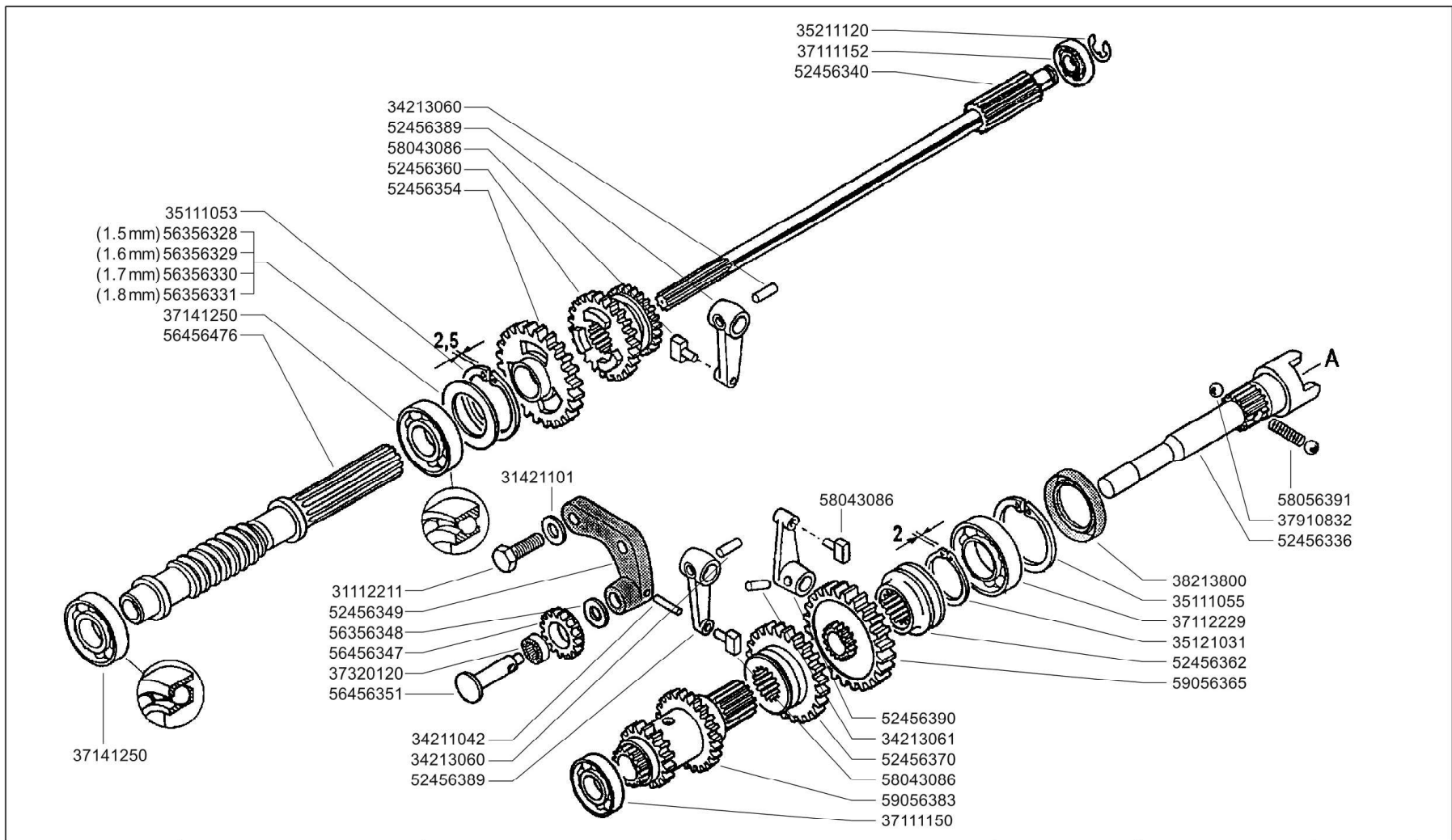


FERRARI Motor mowers, FERRARI 2-wheel tractors - 340 TRENDY

E02_0_60592 - GEARBOX (340)

14/04/2021

Page 18 / 50



- 35211120
- 37111152
- 52456340
- 34213060
- 52456389
- 58043086
- 52456360
- 52456354
- 35111053
- (1.5 mm) 56356328
- (1.6 mm) 56356329
- (1.7 mm) 56356330
- (1.8 mm) 56356331
- 37141250
- 56456476
- 2.5
- 31421101
- 58043086
- 2
- 58056391
- 37910832
- 52456336
- 38213800
- 35111055
- 37112229
- 35121031
- 52456362
- 59056365
- 37141250
- 31112211
- 52456349
- 56356348
- 56456347
- 37320120
- 56456351
- 34211042
- 34213060
- 52456389
- 52456390
- 34213061
- 52456370
- 58043086
- 59056383
- 37111150

	300 TRENDY	INGRANAGGI CAMBIO (340)		DALLA MACCHINA DE LA MAQUINA DE LA MACHINE FROM THE MACHINE AB DER MASCHINE	Rev. 0
		GEARS ENGRANAJES	ENGRANAGES ZAHNRÄDER		



FERRARI Motor mowers, FERRARI 2-wheel tractors - 340 TRENDY
F03_0_60629 - GEARS (340)

Pos.	Id	Q.ty	Description	Note
00	35211120	1	SEEGER RING E 12 UNI 7434	
31112211	31112211	1	SCREW TE M10X30 UNI 5739	
31421101	31421101	1	WASHER	
34211042	34211042	1	ROLL PIN	
34213060	34213060	1	ROLL PIN	
34213061	34213061	1	ROLL PIN	
35111053	35111053	1	SEEGER RING I 52 UNI 7438	
35111055	35111055	1	SEEGER RING I 55 DIN 472	
35121031	35121031	1	SEEGER RING E 30 UNI 7436	
37111150	37111150	1	BEARING 6202 (15X35X11)	
37111152	37111152	1	BEARING 6302 (15X42X13) SKF	
37112229	37112229	1	BEARING 6006 (30X55X13) SKF	
37141250	37141250	1	BEARING 7205-B OBL SKF	
37320120	37320120	1	ROLLER CAGE 12X15/10	
37910832	37910832	1	BALL 1/4	
38213800	38213800	1	OIL SEAL 38X55X7	
52456336	52456336	1	PTO SHAFT L=193	
52456340	52456340	1	SHAFT	
52456349	52456349	1	GEAR SUPPORT	
52456354	52456354	1	GEAR	
52456360	52456360	1	SLIDER	
52456362	52456362	1	COUPLING	
52456370	52456370	1	SLIDER	
52456389	52456389	1	LEVER	
52456390	52456390	1	LEVER	
56356328	56356328	1	ADJUSTING RING SP=1,5	
56356329	56356329	1	ADJUSTING RING SP=1,6	
56356330	56356330	1	ADJUSTING RING SP=1,7	
56356331	56356331	1	ADJUSTING RING SP=1,8	



FERRARI Motor mowers, FERRARI 2-wheel tractors - 340 TRENDY

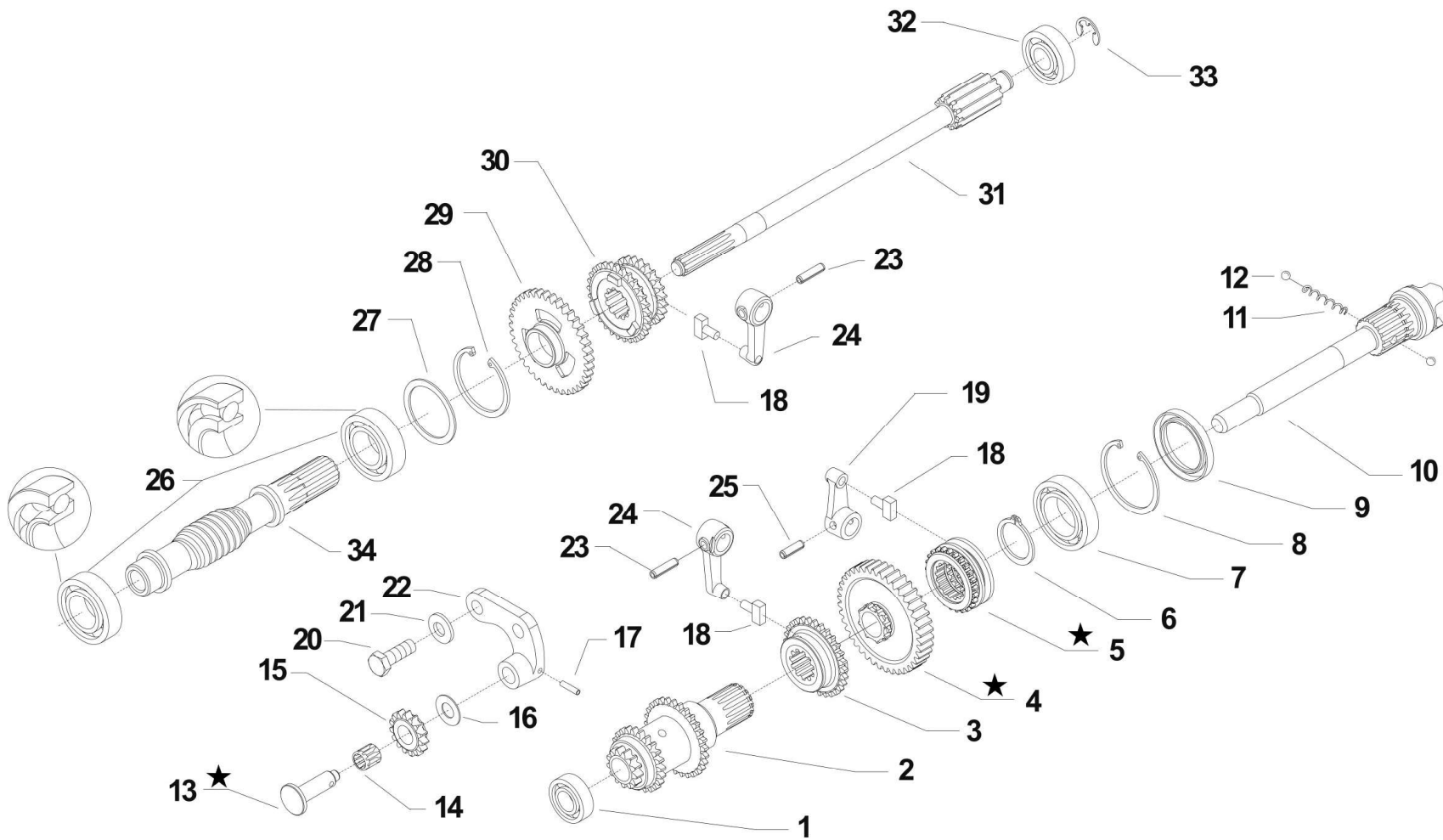
F03_0_60629 - GEARS (340)

14/04/2021

Page 20 / 50

Pos.	Id	Q.ty	Description	Note
56356348	56356348	1	ADJUSTING RING	
56456347	56456347	1	GEAR	
56456351	56456351	1	GEAR PIN	
56456476	56456476	1	SCREW 2	
58043086	58043086	1	SHOE	
58056391	58056391	1	SPRING	
59056365	59056365	1	PTO GEAR	
59056383	59056383	1	TRIPLE GEAR	





i = info - stop 2 sec. ★ = new part



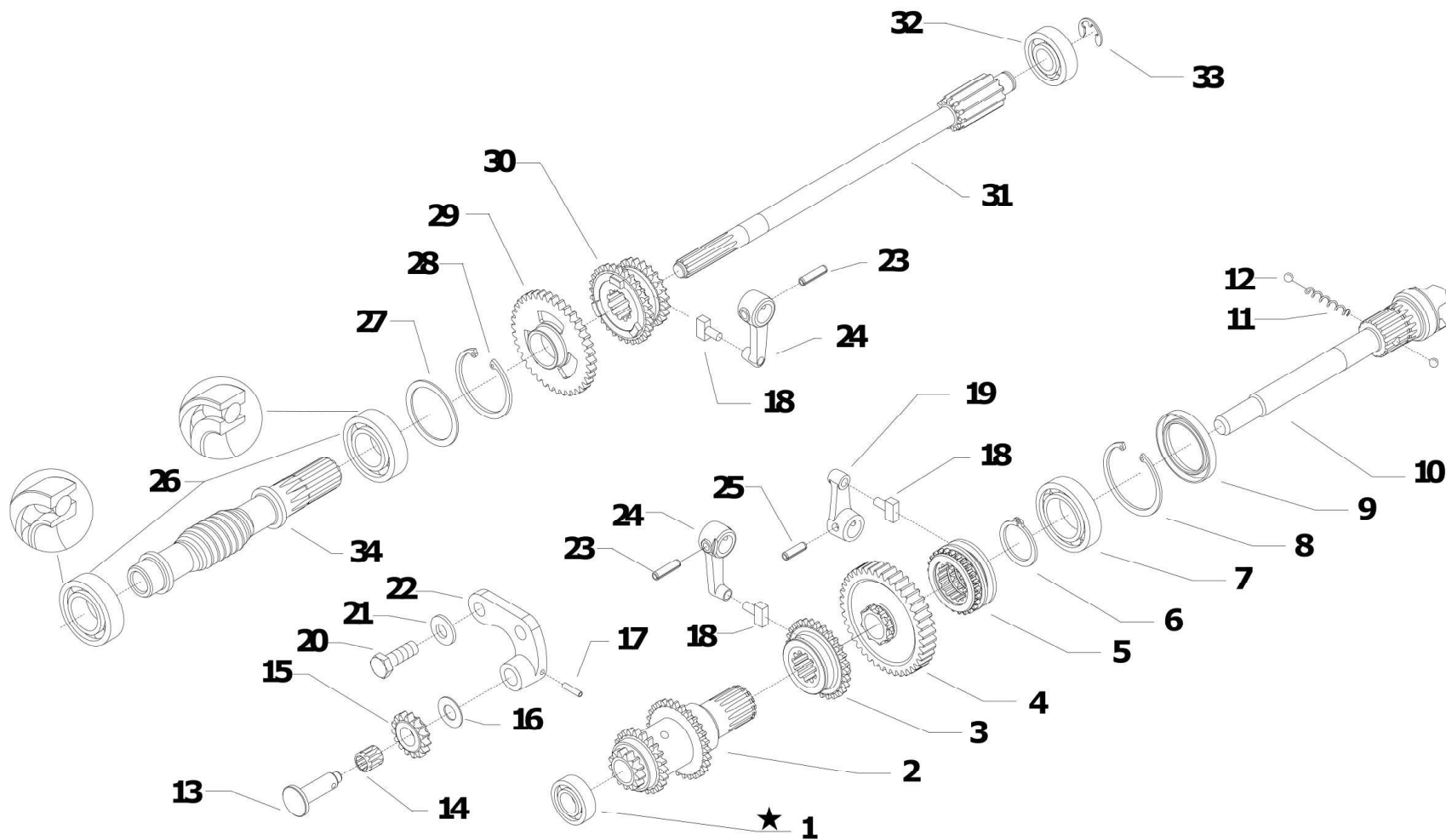
FERRARI Motor mowers, FERRARI 2-wheel tractors - 340 TRENDY
 F.03.02.A0027_01 - GEARS (340)

Pos.	Id	Q.ty	Description	Note
1	37111150		BEARING 6202 (15X35X11)	
2	59056383		TRIPLE GEAR	
3	52456370		SLIDER	
4	59056707		GEAR	Replaces 59056365 + 52456362
5	52456706		PTO COUPLING	Replaces 59056365 + 52456362
6	35121031		SEEGER RING E 30 UNI 7436	
7	37112229		BEARING 6006 (30X55X13) SKF	
8	35111055		SEEGER RING I 55 DIN 472	
9	38213800		OIL SEAL 38X55X7	
10	52456336		PTO SHAFT L=193	
11	58056391		SPRING	
12	37910832		BALL 1/4	
13	56456736		GEAR PIN	Replaces 56456351
14	37320120		ROLLER CAGE 12X15/10	
15	56456347		GEAR	
16	56356348		ADJUSTING RING	
17	34211042		ROLL PIN	
18	58043086		SHOE	
19	52456390		LEVER	
20	31112211		SCREW TE M10X30 UNI 5739	
21	31421101		WASHER	
22	52456349		GEAR SUPPORT	
24	34213060		ROLL PIN	
25	34213061		ROLL PIN	
26	37141250		BEARING 7205-B OBL SKF	
27	56356328		ADJUSTING RING SP=1,5	
27	56356329		ADJUSTING RING SP=1,6	
27	56356330		ADJUSTING RING SP=1,7	
27	56356331		ADJUSTING RING SP=1,8	



Pos.	Id	Q.ty	Description	Note
28	35111053		SEEGER RING I 52 UNI 7438	
29	52456354		GEAR	
30	52456360		SLIDER	
31	52456340		SHAFT	
32	37111152		BEARING 6302 (15X42X13) SKF	
33	35211120		SEEGER RING E 12 UNI 7434	
34	56456476		SCREW 2	





 [Click for info](#)

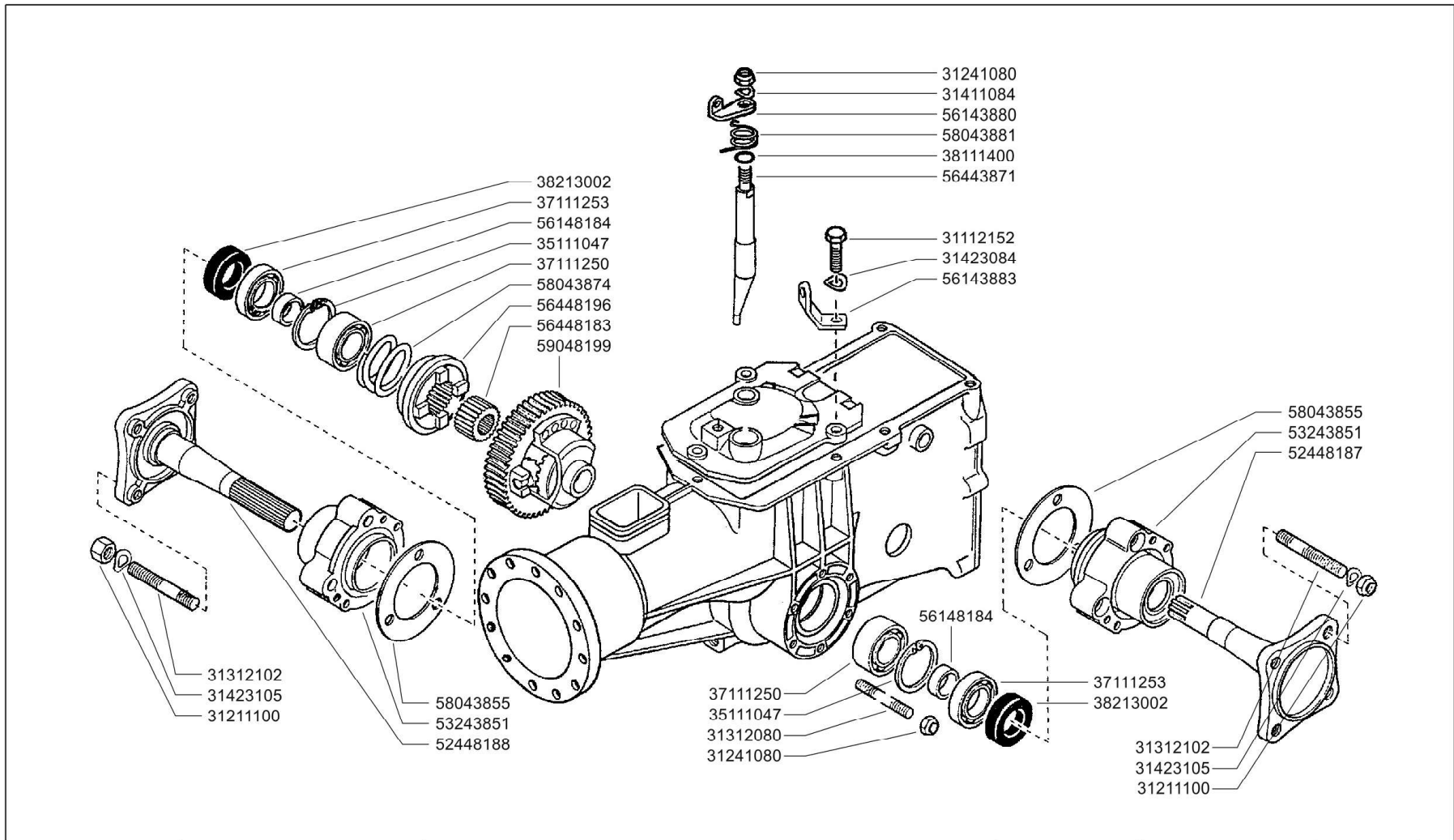
★ = new part

Pos.	Id	Q.ty	Description	Note
1	37111151		BEARING 6202 (15X35X11)	REPLACES 37111150
2	59056383		TRIPLE GEAR	
3	52456370		SLIDER	
4	59056707		GEAR	Replaces 59056365 + 52456362
5	52456706		PTO COUPLING	Replaces 59056365 + 52456362
6	35121031		SEEGER RING E 30 UNI 7436	
7	37112229		BEARING 6006 (30X55X13) SKF	
8	35111055		SEEGER RING I 55 DIN 472	
9	38213800		OIL SEAL 38X55X7	
10	52456336		PTO SHAFT L=193	
11	58056391		SPRING	
12	37910832		BALL 1/4	
13	56456736		GEAR PIN	Replaces 56456351
14	37320120		ROLLER CAGE 12X15/10	
15	56456347		GEAR	
16	56356348		ADJUSTING RING	
17	34211042		ROLL PIN	
18	58043086		SHOE	
19	52456390		LEVER	
20	31112211		SCREW TE M10X30 UNI 5739	
21	31421101		WASHER	
22	52456349		GEAR SUPPORT	
24	34213060		ROLL PIN	
25	34213061		ROLL PIN	
26	37141250		BEARING 7205-B OBL SKF	
27	56356328		ADJUSTING RING SP=1,5	
27	56356329		ADJUSTING RING SP=1,6	
27	56356330		ADJUSTING RING SP=1,7	
27	56356331		ADJUSTING RING SP=1,8	



Pos.	Id	Q.ty	Description	Note
28	35111053		SEEGER RING I 52 UNI 7438	
29	52456354		GEAR	
30	52456360		SLIDER	
31	52456340		SHAFT	
32	37111152		BEARING 6302 (15X42X13) SKF	
33	35211120		SEEGER RING E 12 UNI 7434	
34	56456476		SCREW 2	





	300 TRENDY	DIFFERENZIALE (340)		DALLA MACCHINA FROM THE MACHINE DE LA MACHINE DE LA MAQUINA AB DER MASCHINE	N.	G03	Rev.
		DIFFERENTIAL DIFFERENCIAL	DIFFERENTIEL DIFFERENTIAL				0
						10/2008	



Pos.	Id	Q.ty	Description	Note
31112152	31112152	1	SCREW TE M8X30 UNI 5739 8G	
31211100	31211100	1	NUT M10	
31241080	31241080	1	HEXAGON SELFLOCK NUT M8	
31312080	31312080	1	STUD BOLT M8X46X20X12	
31312102	31312102	1	STUD BOLT M10X40X24X12	
31411084	31411084	1	WASHER 8,4x17	
31423084	31423084	1	SPRING WASHER 8,4	
31423105	31423105	1	SPRING WASHER 10,5	
35111047	35111047	1	SEEGER RING I 47 DIN 472	
37111250	37111250	1	BEARING	
37111253	37111253	1	BEARING 6005 (25X47X12)	
38111400	38111400	1	O-RING (14,00X1,78)	
38213002	38213002	1	OIL SEAL 30X40X7	
52448187	52448187	1	AXLE SHAFT	
52448188	52448188	1	AXLE SHAFT	
53243851	53243851	1	HUB	
56143880	56143880	1	SMALL LEVER	
56143883	56143883	1	STOP	
56148184	56148184	1	RING	
56443871	56443871	1	ROD	
56448183	56448183	1	SPACER	
56448196	56448196	1	COUPLING	
58043855	58043855	1	GASKET	
58043874	58043874	1	SPRING	
58043881	58043881	1	SPRING	
59048199	59048199	1	DIFFERENTIAL GEAR	

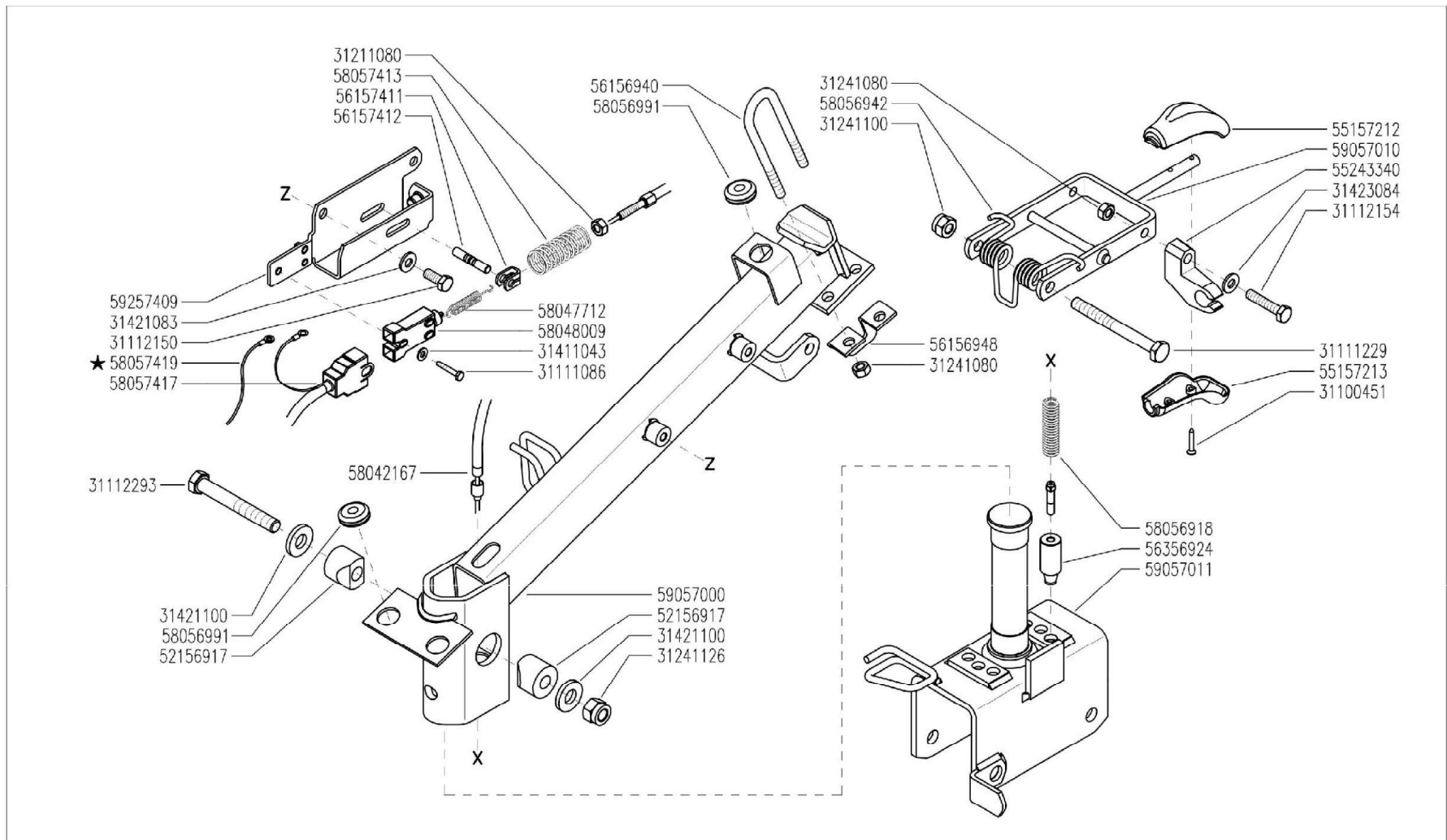


FERRARI Motor mowers, FERRARI 2-wheel tractors - 340 TRENDY

G03_0_60674 - DIFFERENTIAL (340)

14/04/2021

Page 29 / 50



	<h1>300 TRENDY</h1>	PIANTONE (340) STEERING COLUMN COLUMNA	PLANTON LENKSÄULE	DALLA MACCHINA DE LA MAQUINA DE LA MACHINE FROM THE MACHINE AB DER MASCHINE	Rev.
					H03 0
				N.	10/2008



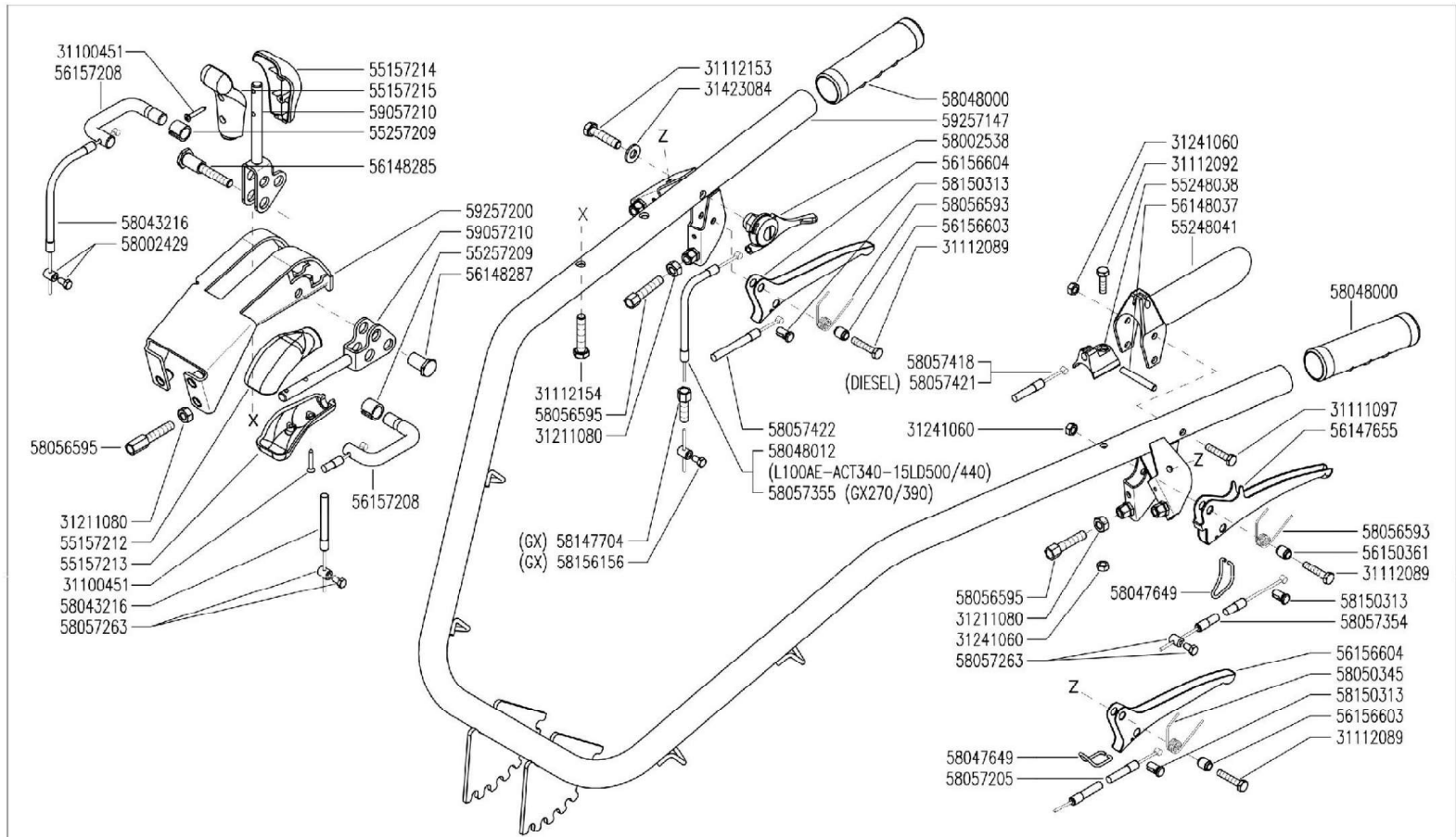
ZENNE

Pos.	Id	Q.ty	Description	Note
31100451	31100451	1	SCREW 3,5X25	
31111086	31111086	1	SCREW TE M4X25 UNI 5739 8G	
31111229	31111229	1	SCREW TE M10X110 UNI 5737 8G	
31112150	31112150	1	SCREW TE M8X20 UNI 5739 8G	
31112154	31112154	1	SCREW TE M8X40 UNI 5739 8G	
31112293	31112293	1	SCREW TE M12X80 UNI 5737	
31211080	31211080	1	NUT M8	
31241080	31241080	1	HEXAGON SELFLOCK NUT M8	
31241100	31241100	1	SELFLOCK HEXAGON NUT M10	
31241126	31241126	1	SELFLOCK NUT M12	
31411043	31411043	1	WASHER 4,3X9	
31421083	31421083	1	WASHER	
31421100	31421100	1	CUP SPRING 25X12,2X1,5 D2093	
31423084	31423084	1	SPRING WASHER 8,4	
52156917	52156917	1	WEDGE	
55157212	55157212	1	GRIP	
55157213	55157213	1	GRIP	
55243340	55243340	1	SUPPORT	
56156940	56156940	1	U BOLT	
56156948	56156948	1	STOP	
56157411	56157411	1	FORK	
56157412	56157412	1	PIN	
56356924	56356924	1	FERRULE	
58042167	58042167	1	SHEATH END	
58047712	58047712	1	SPRING	
58048009	58048009	1	ENGINE STOP SWITCH	
58056918	58056918	1	SPRING	
58056942	58056942	1	SPRING	
58056991	58056991	1	CABLE GLAND 90/200/30	



Pos.	Id	Q.ty	Description	Note
58057413	58057413	1	RETAINING SPRING	
58057417	58057417	1	WIRING MOT/STOP L=950	
58057419	58057419	1	WIRING MC L=700	
59057000	59057000	1	COLUMN	
59057010	59057010	1	LEVER	
59057011	59057011	1	CONNECTION	
59257409	59257409	1	SUPPORT	





	300 TRENDY	MANUBRIO (340) HANDLEBAR MANILLAR	MANCHERON LENKER	DAI LA MACCHINA DE LA MAQUINA DE LA MACHINE FROM THE MACHINE AB DER MASCHINE	N.	103	Rev. 0
						10/2008	ZENNE



Pos.	Id	Q.ty	Description	Note
31100451	31100451	1	SCREW 3,5X25	
31111097	31111097	1	SCREW TE M6X45 UNI 5737 8G	
31112089	31112089	1	SCREW TE M6X25 UNI 5739 8G	
31112092	31112092	1	SCREW TE M6X35 UNI 5739 8G	
31112153	31112153	1	SCREW TE M8X35 UNI 5739 8G	
31112154	31112154	1	SCREW TE M8X40 UNI 5739 8G	
31211080	31211080	1	NUT M8	
31241060	31241060	1	HEXAGON SELFLOCK NUT M6	
31423084	31423084	1	SPRING WASHER 8,4	
55157212	55157212	1	GRIP	
55157213	55157213	1	GRIP	
55157214	55157214	1	GRIP	
55157215	55157215	1	GRIP	
55248038	55248038	1	STOP	
55248041	55248041	1	LEVER	
55257209	55257209	1	BUSHING	
56147655	56147655	1	CLUTCH LEVER	
56148037	56148037	1	LEVER STOP	
56148285	56148285	1	PIN	
56148287	56148287	1	STUD BOLT	
56150361	56150361	1	SPACER	
56156603	56156603	1	SPACER	
56156604	56156604	1	CLUTCH LEVER	
56157208	56157208	1	U BOLT	
58002429	58002429	1	CLAMPING SCREW	
58002538	58002538	1	ACCELERATOR	
58043216	58043216	1	LINE AND SHEATH (L=1160)	
58047649	58047649	1	CLEVIS	
58048000	58048000	1	KNOB D=27	



FERRARI Motor mowers, FERRARI 2-wheel tractors - 340 TRENDY

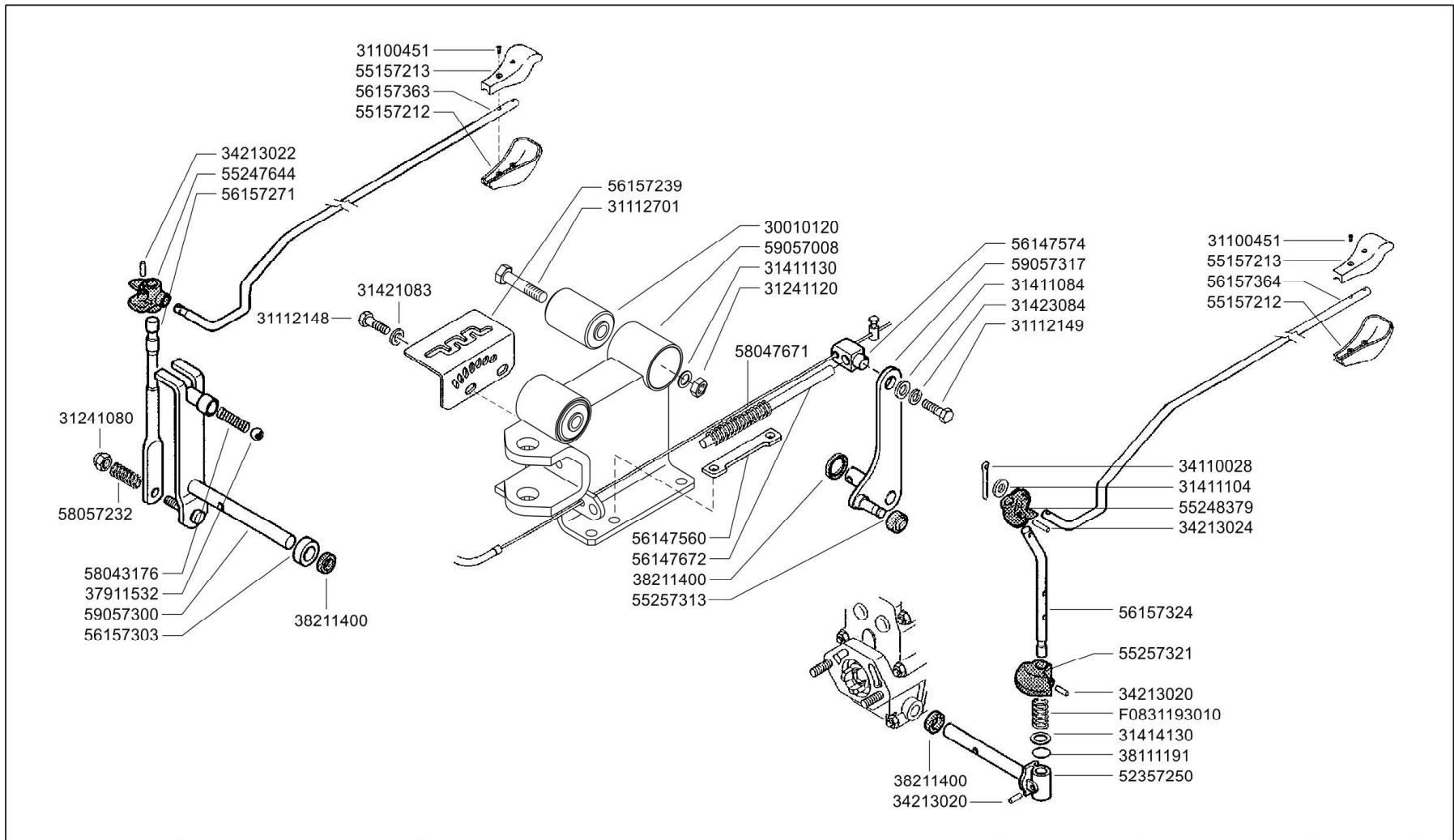
103_0_60817 - HANDLEBAR (340)

14/04/2021

Page 34 / 50

Pos.	Id	Q.ty	Description	Note
58048012	58048012	1	LINE AND SHEATH (L=2020)	
58050345	58050345	1	SPRING	
58056593	58056593	1	SPRING	
58056595	58056595	1	ADJUSTING SCREW M8	
58057205	58057205	1	LINE AND SHEATH L=1500	
58057263	58057263	1	CLAMPING SCREW	
58057354	58057354	1	LINE AND SHEATH (L=1500)	
58057355	58057355	1	LINE AND SHEATH (L=2280)	
58057418	58057418	1	LINE AND SHEATH M/S L=750 MF/04	
58057421	58057421	1	LINE AND SHEATH L=1950	
58057422	58057422	1	COLUMN UNLOCKING TRANSMISSION	
58147704	58147704	1	ADJUSTING SCREW	
58150313	58150313	1	CABLE CLAMP	
58156156	58156156	1	TERMINAL	
59057210	59057210	1	COMMAND LEVER	
59257147	59257147	1	HANDLE BAR	
59257200	59257200	1	SUPPORT	





	300 TRENDY	COMANDI (340)		DALLA MACCHINA DE LA MAQUINA DE LA MACHINE FROM THE MACHINE AB DER MASCHINE	Rev. 0
		CONTROLS MANDOS	COMMANDES ANTRIEBE		



Pos.	Id	Q.ty	Description	Note
30010120	30010120	1	SILENT-BLOCK 12X40X58X66	
31100451	31100451	1	SCREW 3,5X25	
31112148	31112148	1	SCREW TE M8X18 UNI 5739 8G	
31112149	31112149	1	SCREW TE M8X12 UNI 5739 8G	
31112701	31112701	1	SCREW TE M12X100 UNI 5737	
31241080	31241080	1	HEXAGON SELFLOCK NUT M8	
31241120	31241120	1	SELFLOCK NUT M12	
31411084	31411084	1	WASHER 8,4x17	
31411104	31411104	1	WASHER 10,5x18	
31411130	31411130	1	WASHER 13x24	
31414130	31414130	1	WASHER 13	
31421083	31421083	1	WASHER	
31423084	31423084	1	SPRING WASHER 8,4	
34110028	34110028	1	SPLIT PIN A3X15 UNI 1336	
34213020	34213020	1	ROLL PIN	
34213022	34213022	1	ROLL PIN	
34213024	34213024	1	ROLL PIN	
37911532	37911532	1	BALL 15/32	
38111191	38111191	1	O-RING 115 (11,91X2,62)	
38211400	38211400	1	OIL SEAL 14X22X4	
52357250	52357250	1	PIN	
55157212	55157212	1	GRIP	
55157213	55157213	1	GRIP	
55247644	55247644	1	JOINT	
55248379	55248379	1	PTO JOINT	
55257313	55257313	1	ROLLER	
55257321	55257321	1	STOP	
56147560	56147560	1	STOP	
56147574	56147574	1	INVERTER BLOCK	



FERRARI Motor mowers, FERRARI 2-wheel tractors - 340 TRENDY

J03_0_60869 - CONTROLS (340)

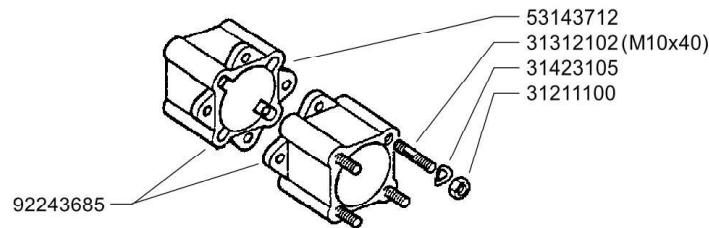
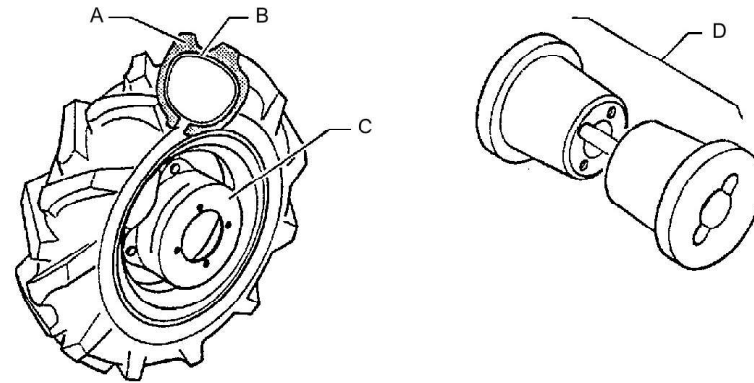
14/04/2021

Page 37 / 50

Pos.	Id	Q.ty	Description	Note
56147672	56147672	1	GUIDE PIN	
56157239	56157239	1	GEAR SELECTOR	
56157271	56157271	1	COMMAND LEVER	
56157303	56157303	1	SPACER	
56157324	56157324	1	PTO LEVER	
56157363	56157363	1	PULL ROD	
56157364	56157364	1	PULL ROD	
58043176	58043176	1	SPRING	
58047671	58047671	1	SPRING	
58057232	58057232	1	SPRING	
59057008	59057008	1	SUPPORT	
59057300	59057300	1	GEAR LEVER	
59057317	59057317	1	LEVER	
F0831193010	F0831193010	1	SPRING DM.15X70	



	A	B	C	D	
0	3.50 - 8"	39113502	39413502	58052326	92243686 (Kg.10)
0	4.00 - 8"	39114008	39414008	58052326	92243686 (Kg.10)
0	4.0 - 10"	39114010	39414010	58052288 (FIX)	/
0	4.0 - 10"	39114010	39414010	58052327	92248715 (Kg.15)
0	5.0 - 10"	39115010	39415010	58052288 (FIX)	/
0	5.0 - 10"	39115010	39415010	58052327	92248715 (Kg.15)
0	5.00 - 12"	39115012	39415012	58052328	92248720 (Kg.34)
0	6,5/80 - 12"	39116018	39416018	58052328	92480721 (Kg.34)



FERRARI	300 TRENDY	RUOTE		DALLA MACCHINA FROM THE MACHINE DE LA MACHINE DE LA MAQUINA AB DER MASCHINE	AGGIORNAMENTO	K01	Rev.
		WHEELS	ROUES		REVISION		1
		RUEDAS	RÄDER	ON.	MISE A JOUR	10/2008	
					ANPASSUNG		



FERRARI Motor mowers, FERRARI 2-wheel tractors - 340 TRENDY

K01_1_60913 - WHEELS

14/04/2021

Page 39 / 50

Pos.	Id	Q.ty	Description	Note
31211100	31211100	1	NUT M10	
31312102	31312102	1	STUD BOLT M10X40X24X12	
31423105	31423105	1	SPRING WASHER 10,5	
39113502	39113502	1	TYRE 3.50-8 2PR	
39114008	39114008	1	TYRE 4.00-8 2PR	
39114010	39114010	1	TYRE 4.0-10 2PR	
39115010	39115010	1	TYRE 5.00-10 2PR	
39115012	39115012	1	TYRE 5.00-12 2PR	
39116018	39116018	1	TYRE 6.5/80-12 2PR	
39413502	39413502	1	INNER TUBE X 3.50-8	
39414008	39414008	1	INNER TUBE X 4.00-8	
39414010	39414010	1	INNER TUBE x 4.0-10	
39415010	39415010	1	INNER TUBE X 4.0/5.0-10	
39415012	39415012	1	INNER TUBE	
39416018	39416018	1	INNER TUBE X 6-5/80-12	
53143712	53143712	1	SPACER	
58052288	58052288	1	RIM 3.50 D10 C/F 1003	
58052326	58052326	1	RIM	
58052327	58052327	1	RIM	
58052328	58052328	1	RIM 5JA12 RAL 1003	
92243685	92243685	1	WHEEL SPACERS CM 6 (PAIR)	
92243686	92243686	1	PAIR OF WEIGHTS FOR 8 WHEELS 11 KGS	
92248715	92248715	1	WEIGHTS FOR WHEELS 10 EACH KG 15 (PAIR)	
92248720	92248720	1	WEIGHTS FOR WHEELS 12 KG 34 EACH (PAIR)	
92480721	92480721	1	WEIGHTS KG. 34 FOR WHEELS 5.00-12 / 6.5/80-12 (PAIR) (0901012307)	

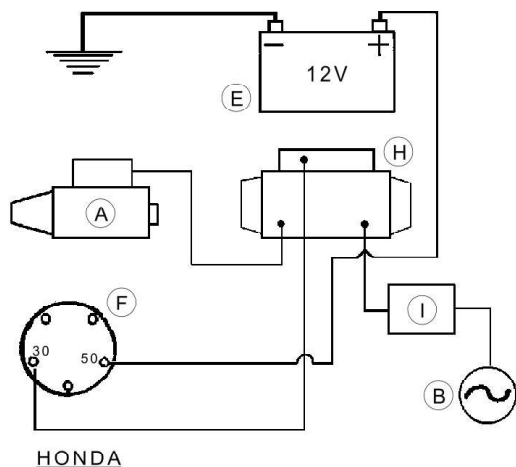


FERRARI Motor mowers, FERRARI 2-wheel tractors - 340 TRENDY

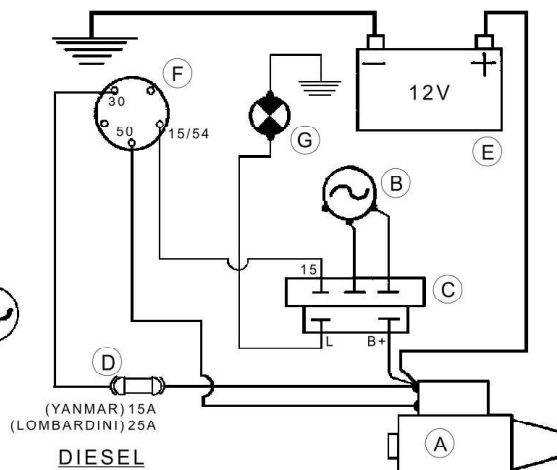
K01_1_60913 - WHEELS

14/04/2021

Page 40 / 50

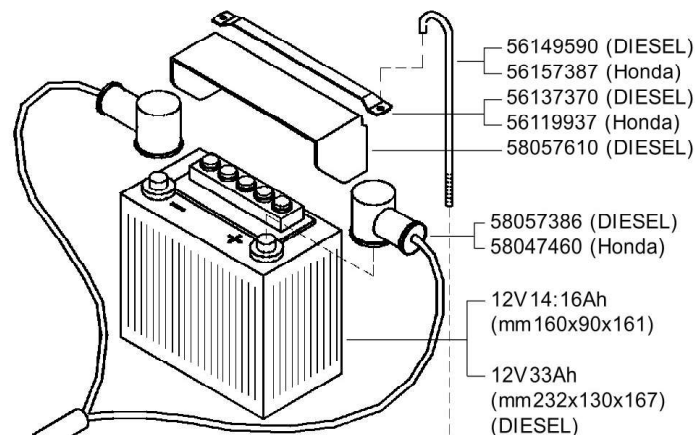


HONDA



(YANMAR) 15A
(LOMBARDINI) 25A

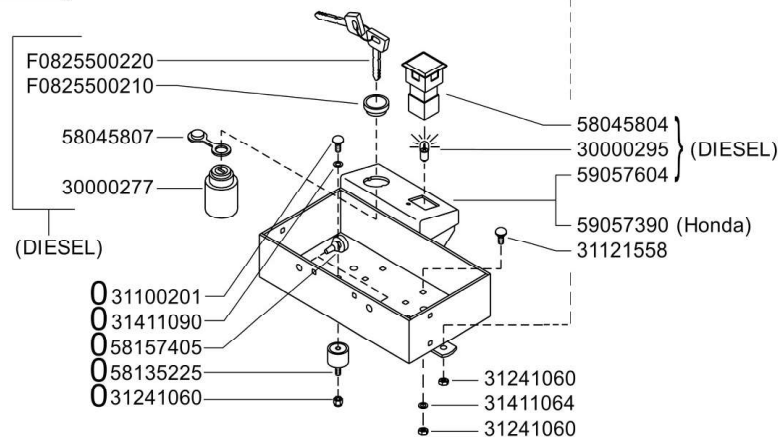
DIESEL



- 56149590 (DIESEL)
- 56157387 (Honda)
- 56137370 (DIESEL)
- 56119937 (Honda)
- 58057610 (DIESEL)
- 58057386 (DIESEL)
- 58047460 (Honda)
- 12V 14:16Ah
(mm160x90x161)
- 12V33Ah
(mm232x130x167)
(DIESEL)

A	B	C	D
MOTORINOD'AVVIAMENTO STARTER DÉMARREUR MOT. DE ARRANQUE ANLASSMOTOR	GENERATORE GENERATOR GÉNÉRATEUR GENERADOR GENERATOR	REGOLATORE REGULATOR RÉGULATEUR REGULADOR REGLER	FUSIBILI FUSES FUSIBLES FUSIBLES SCHMELZSICHERUNGEN

E	F	G	H	I
BATTERIA BATTERY BATTERIE BATERIA BATTERIE	INTERRUTTORE SWITCH INTERRUPTEUR INTERRUPTOR SCHALTER	SPIACARICABATTERIA BATTERY LONGWARN. LIGHT TEMOIN CHARG. BATTERIE LUZ CARGA BATERIA BATTERIE LADUNGKTRL. LAMPE	SOLENOIDE SOLENOID SOLÉNOÏDE SOLENOIDE SOLENOID	DIODO DIODE DIODE DIODO DIODE



- F0825500220
- F0825500210
- 58045807
- 30000277
- (DIESEL)
- 58045804
- 30000295
- 59057604
- (DIESEL)
- 59057390 (Honda)
- 31121558
- 0 31100201
- 0 31411090
- 0 58157405
- 0 58135225
- 0 31241060
- 31241060
- 31411064
- 31241060

(1) sostituisce 30000276

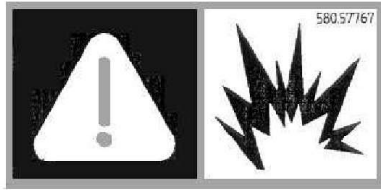
FERRARI	300 TRENDY	AVVIAMENTO ELETTRICO (320-330-340)		ON.	DALLA MACCHINA FROM THE MACHINE DE LA MACHINE DE LA MAQUINA AB DER MASCHINE	Rev.
		ELECTRIC STARTER ARRANQUE ELECTRICO	DÉMARRAGE ÉLECTRIQUE ELEKTROSTART			L01
					(320) 823723 (330) 823957	10/2008



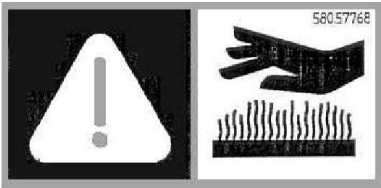
FERRARI Motor mowers, FERRARI 2-wheel tractors - 340 TRENDY
L01_2_60940 - ELECTRIC STARTER

Pos.	Id	Q.ty	Description	Note
30000277	30000277	1	SWITCH	
30000295	30000295	1	LAMP 12V-5W-W2,1X9,5D	
31100201	31100201	1	SCREW TTQ M6X12 UNI 5731	
31121558	31121558	1	SCREW TTQ M6X16 UNI 5731	
31241060	31241060	1	HEXAGON SELFLOCK NUT M6	
31411064	31411064	1	WASHER 6,4x12,5	
31411090	31411090	1	WASHER 9x24	
56119937	56119937	1	BATTERY SUPPORT	
56137370	56137370	1	BATTERY BRACKET	
56149590	56149590	1	BATTERY BRACKET	
56157387	56157387	1	ROD	
58045804	58045804	1	WARNING LIGHT	
58045807	58045807	1	LOCK COVER	
58047460	58047460	1	WIRING	
58057386	58057386	1	WIRING	
58057610	58057610	1	BOX	
58135225	58135225	1	VIBRATION-DAMPING	
58157405	58157405	1	PLUG	
59057390	59057390	1	BOX	
59057604	59057604	1	BOX	
F0825500210	F0825500210	1	RING NUT	
F0825500220	F0825500220	1	KEY	

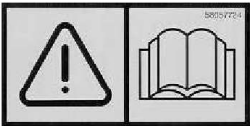




58057767



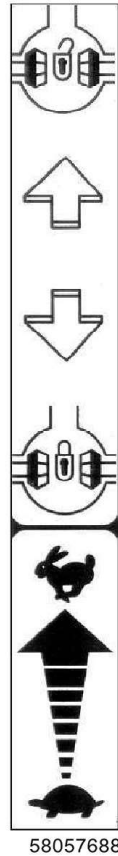
58057768



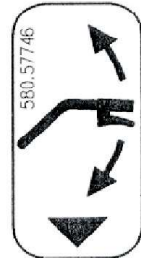
58057724



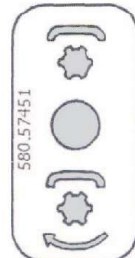
58057770



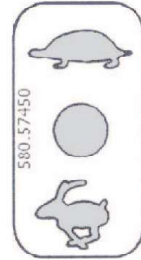
58057688



58057746 0



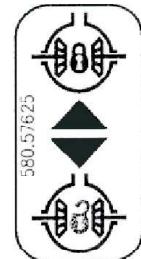
58057451 0



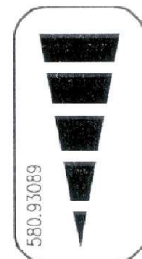
58057450 0



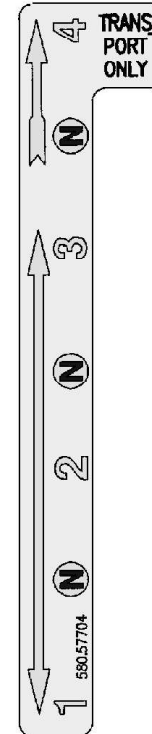
58057748 0



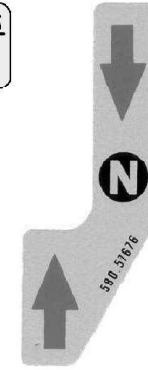
58057625 0



58093089 0



58057704 0



58057676



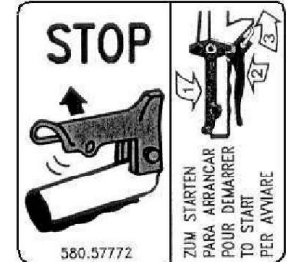
58057678



58057677



58046912



58057772

FERRARI

300 TRENDY

ADESIME

STICKERS
ADHESIVOS

AUTOCOLLANTS
AUFKLEBES

DALLA MACCHINA
FROM THE MACHINE
DE LA MACHINE
DE LA MAQUINA
AB DER MASCHINE

0 N.

AGGIORNAMENTO
REVISION
MISE A JOUR
APLAZAMIENTO
ANPASSUNG

M01 1
10/2008

Rev.

REV.

FERRARI

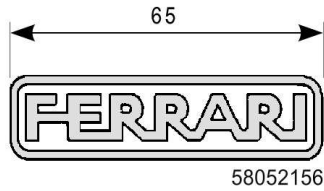
FERRARI Motor mowers, FERRARI 2-wheel tractors - 340 TRENDY
M01_1_60965 - STICKERS

Pos.	Id	Q.ty	Description	Note
58046912	58046912	1	DECAL	
58057450	58057450	1	DECAL	
58057451	58057451	1	DECAL	
58057625	58057625	1	DECAL	
58057676	58057676	1	DECAL	
58057677	58057677	1	DECAL	
58057678	58057678	1	DECAL	
58057688	58057688	1	DECAL	
58057704	58057704	1	DECAL	
58057724	58057724	1	DECAL	
58057746	58057746	1	DECAL	
58057748	58057748	1	DECAL	
58057767	58057767	1	DECAL	
58057768	58057768	1	DECAL	
58057770	58057770	1	DECAL	
58057772	58057772	1	DECAL	
58093089	58093089	1	DECAL	



FERRARI Motor mowers, FERRARI 2-wheel tractors - 340 TRENDY

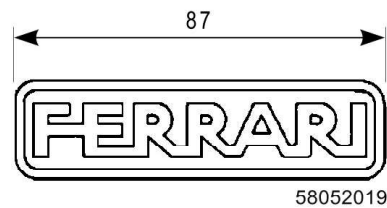
M01_1_60965 - STICKERS



310
58052037

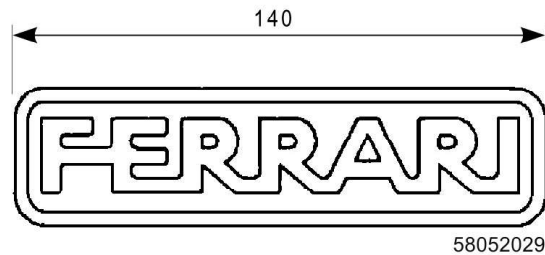
320
58052026

330
58052039



340
58052047 0

TRENDY
58052045



TRENDY
58052046

FERRARI	300 TRENDY	STICKERS ADHESIVOS	ADESMI AUTOCOLLANTS AUFKLEBES	DALLA MACCHINA FROM THE MACHINE DE LA MACHINE DE LA MAQUINA AB DER MASCHINE 0 N.	AGGIORNAMENTO	M02 <small>Rev. 1</small> 10/2008 <small>REV. 2008</small>
					REVISION MISE A JOUR APLAZAMIENTO ANPASSUNG	



Pos.	Id	Q.ty	Description	Note
58052019	58052019	1	DECAL	
58052026	58052026	1	DECAL 320 DX	
58052029	58052029	1	DECAL	
58052037	58052037	1	DECAL 310 TRENDY	
58052039	58052039	1	DECAL 330 TRENDY	
58052045	58052045	1	DECAL TRENDY	
58052046	58052046	1	DECAL	
58052047	58052047	1	DECAL 340 TRENDY	
58052156	58052156	1	DECAL	



FERRARI Motor mowers, FERRARI 2-wheel tractors - 340 TRENDY

M02_1_60983 - STICKERS

1 310

2 320

3 330

4 340

5 

6 

7 

8 



i = info - stop 2 sec. ★ = new part



Pos.	Id	Q.ty	Description	Note
1	58052178		DECAL 310 /11	
2	58052179		DECAL 320 /11	
3	58052180		DECAL 330 /11	
4	58052181		DECAL 340 /11	
5	58052019		DECAL	
6	58052029		DECAL	
7	58052045		DECAL TRENDY	
8	58052046		DECAL	

